

PINNACLE SERIES



ESS ESS Bathroom Product Pvt. Ltd. India, manufactures and delivers the item with great care and the quality assurance and provides warranty on its product for a period of 10 years under normal use when properly installed and operated.

The wave of new age
ESS ESS
Bath Fittings & Accessories

ESS ESS Bathroom Products Pvt. Ltd.

Corporate Office: SCO 827, Main Road,
NAC Manimajra, Chandigarh, India.

Telefax: 0172-2738776-77

Works:

Barotiwala-Baddi Road, Village- Jharmajri,
Opp. Shivalik Nagar, Barotiwala, Distt. Solan (HP)

Telefax: 01795-271549

contactus@essessindia.com
www.essessindia.com



CONSERVE WATER OUR FUTURE NEEDS IT !

Avoid leakage of water from the taps.

Turn the tap off when not in use especially when you brush your teeth or wash clothes

Check the leakage of water in the toilets. Also get check the hidden water leaks

Never throw the water unnecessary on roads which can be used for gardening and cleaning

Avoid unnecessary flushing the toilets. Use minimum amount of water to bath.

Water your lawn only when it is needed.

Do not leave the tap running while washing the dishes in the kitchen.

Install small shower heads to reduce the flow of water.



BATH FITTINGS | BATHROOM ACCESSORIES | SHOWERS

The wave of new age
ESS ESS
Bath Fittings & Accessories



WELCOME

Faucets or sculptures or both . Exclusive creations in our PINNACLE SERIES sets a new high in the art of extravagant bathroom fixtures. Modern, linear designs, fused with the latest technology, represents this opulent series. The forms are simple, yet very aesthetic, unpretentious yet elegant. The PINNACLE SERIES comes with an extra ingredient - personality. Setting new standards for quality and workmanship, ESS ESS brings to you a truly 'feel good' collection. Feel one with our products - ENJOY !



CRESSIDA



SERENE



EVANIA



PINNACLE
SERIES



SIRIUS

PINNACLE SERIES



EVANIA /01

SIRIUS /05

CRESSIDA /11

SERENE /19

SHOWERS /25

PRICE LIST /27

PINNACLE SERIES



EVANIA



Nature has a distinctive manner of expressing amazing phenomenon with evocative beauty and refined grace. The tumult, power and grace of gushing waters as they cascade down a towering cliff signify matchless beauty in majestic motion. The exuberant rush of a waterfall is the inspiration for our Evania series, where the mystique, magic and power of cascading waters combines with a unique futuristic design which is minimalistic but magnificent. In Evania, the beauty of nature blends with classic flair and superb craftsmanship which transports you instantly to the Great Outdoors....



BASIN / BATHING



EA-02
Single lever basin mixer without popup waste system with 450 mm long flexible hose

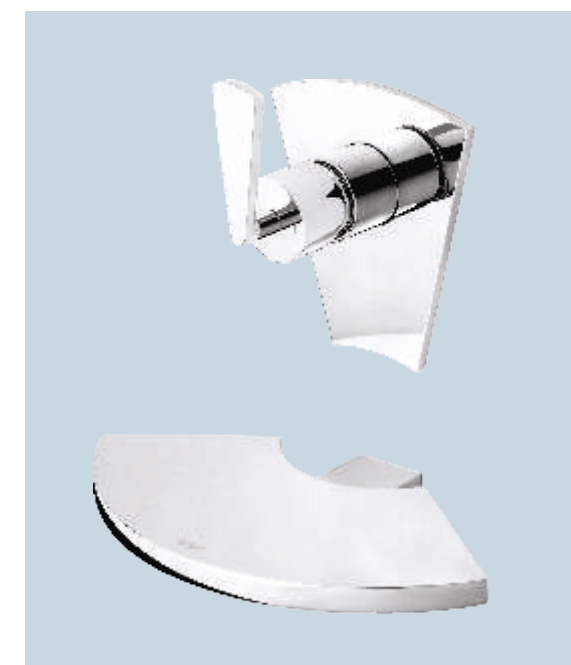


EA-19
Single lever basin mixer extended body without popup waste system with 450 mm long flexible hose



EA-15
Over head shower with 18" long arm (Oval)

EA-06
Single lever concealed diverter for bath & shower system with plain spout



EA-26
Single lever concealed basin spout

PINNACLE SERIES



SIRIUS

The brightest star of the limitless skies lends its name to this gem in our collection. The addition of the Sirius series is enough to transform your washroom into a lifestyle space where sophistication, contemporary design and superb functionality juxtapose to create a luxurious ambience. The refined shape of the Sirius with its smooth undulating lines and precise modeling offers the user a sensuous experience which is simply unbeatable.



BASIN / BATHING



SI-02
Single lever basin mixer without popup waste system with 450 mm long flexible hose



SI-26
Single lever concealed basin spout



SI-19
Single lever basin mixer extended body without popup waste system with 450 mm long flexible hose

SI-15
Over head shower with 18" long arm

SI-06
Single lever concealed diverter for bath & shower system with plain spout

SIRIUS

BATHING



SI-11
Single lever exposed wall mixer 3-in-1 with overhead & telephone shower



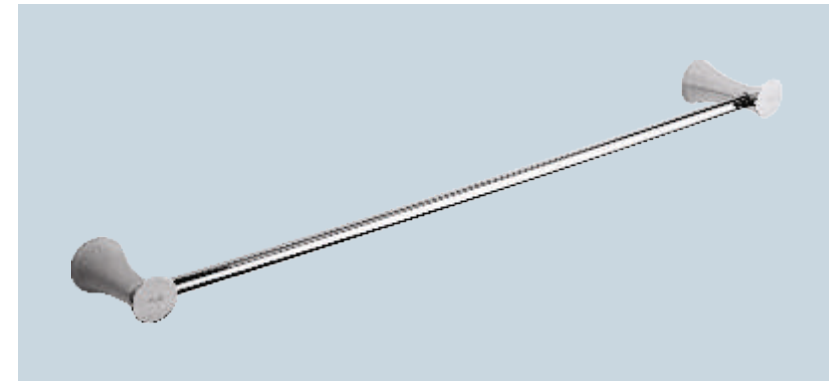
SI-09
Single lever wall mixer for bath and shower system without shower



SI-16
Telephone shower with LED water temperature and flow rate display with 1.5 mtr flexible tube & hook

SIRIUS

ACCESSORIES



SI-101
Towel rail



SI-103
Towel ring



SI-104
Soap dish



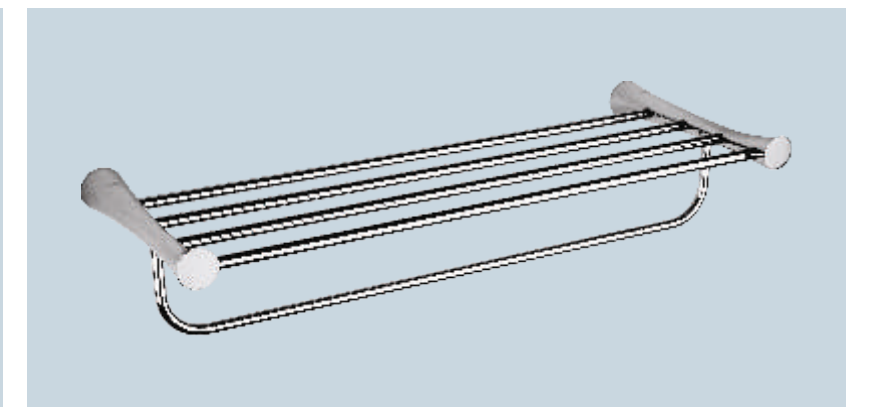
SI-105
Tumbler holder



SI-106
Robe hook



SI-107
Toilet paper holder



SI-113
Towel bracket

PINNACLE SERIES



CRESSIDA

The Cressida collection evokes the eternal splendor of the fourth satellite of Uranus. A chic synthesis of beauty and utility, the angular base endows the design with a futuristic element which is enhanced by the fluted inner curve. The user's delight at the look, sound and feel of the gurgling cascade of water at a delicate lift of the lever is skillfully achieved by combining the elemental appeal of functionality, grace and meticulous designing..



BASIN / KITCHEN



CA-02
Single lever basin mixer without popup waste system with 450 mm long flexible hose



CA-26
Single lever concealed basin spout with single plate

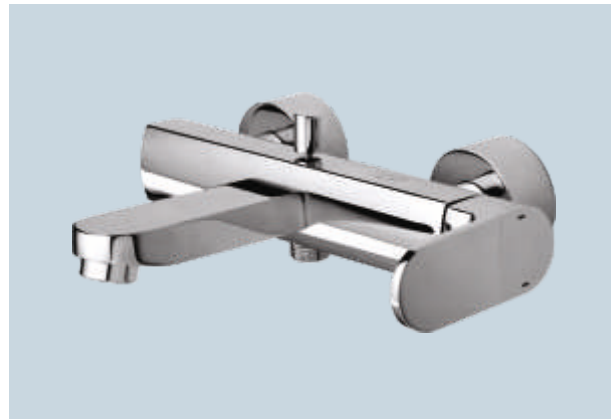


CA-19
Single lever basin mixer extended body without popup with 450 mm long flexible hose



CA-18
Single lever sink mixer

BATHING



CA-09
Single lever wall mixer with tele shower arrangement



CA-10
Single lever exposed wall mixer for shower system only with overhead & telephone shower



CA-11
Single lever exposed wall mixer 3-in-1 for bath & shower system with overhead & telephone shower

BATHING



CA-06W
Concealed diverter for bath and shower system with two way shower & spout



A unique overhead shower with a twin flow concept for a **RAINFALL SHOWER** or **CASCADE WATERFALL** experience. Truly rejuvenating !

BATHING

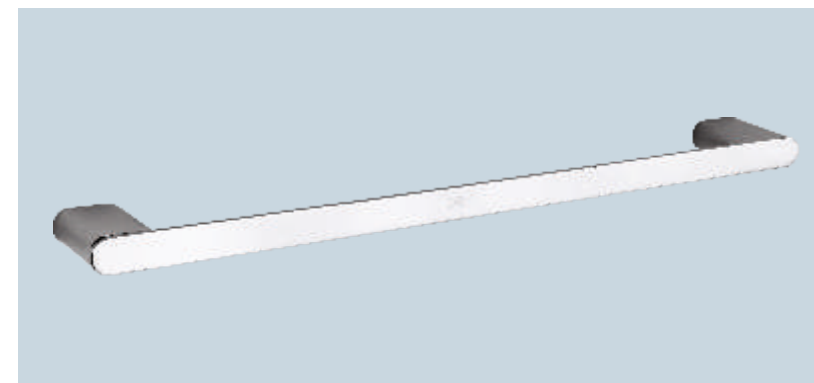


CA-15
Over head shower
with 18" long arm

CA-06
Single lever concealed diverter for bath
& shower system with plain spout



ACCESSORIES



CA-101
Towel rail



CA-103
Towel ring



CA-104
Soap dish



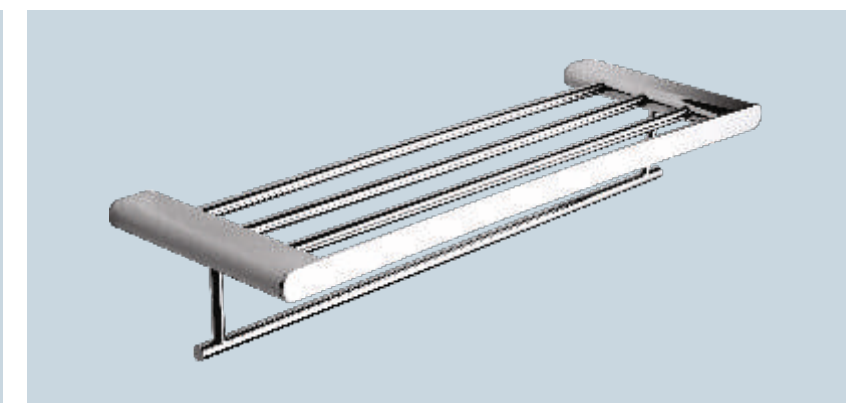
CA-105
Tumbler holder



CA-106
Robe Hook



CA-107
Toilet paper holder



CA-113
Towel bracket

PINNACLE
SERIES

SERENE



In the rough and tumble of everyday life, the washroom becomes a place of refuge, where one can retreat for some quality 'alone' time. The Serene series reflects tranquility, grace and serenity. The graceful arch of the faucet, the cultured stylishness of the base and the single lever are emblematic of a rare simplicity which is effortlessly sublime.



BASIN / BATHING



SE-02
Single lever basin mixer without popup waste system with 450 mm long flexible hose



SE-26
Single lever concealed basin spout with single plate



SE-19
Single lever basin mixer extended body without popup waste system with 450 mm long flexible hose



SE-09
Single lever wall mixer for bath & shower system

SERENE

BATHING



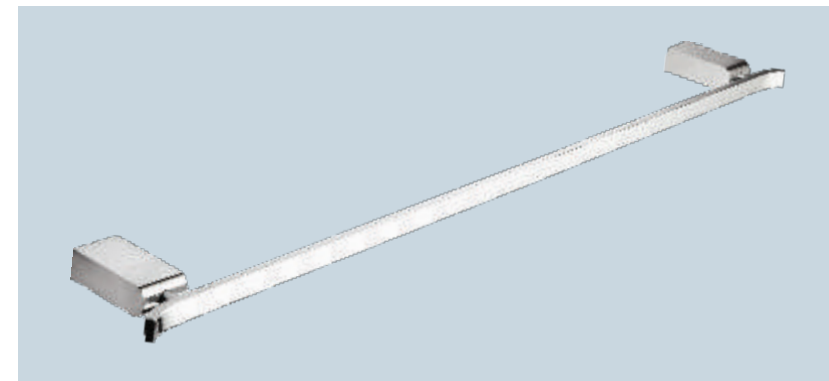
SE-15
Over head shower
with 18" long arm

SE-06
Single lever concealed diverter
for bath & shower system with
plain spout



SERENE

ACCESSORIES



SE-101
Towel rail



SE-103
Towel holder



SE-104
Soap dish



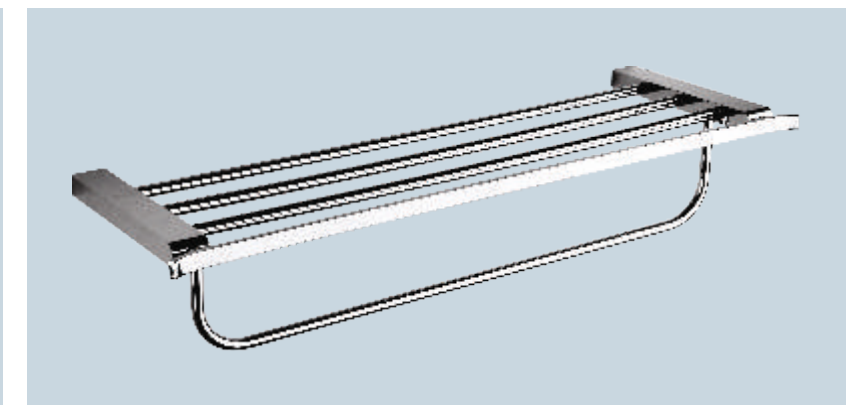
SE-105
Tumbler holder



SE-106
Robe hook



SE-107
Toilet paper holder



SE-113
Towel bracket

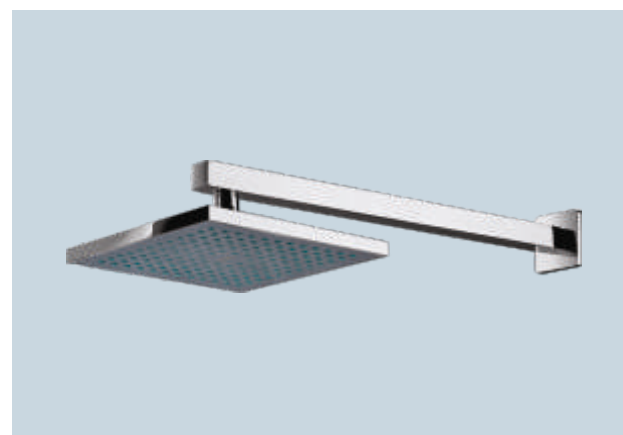
SHOWERS



EA-15
Overhead shower with 18" long arm (Oval)



SI-15
Overhead shower with 18" long arm



CA-15 / SE - 15
Overhead shower with 18" long arm



EA-16
Telephone shower with 1.5 mtr flexible tube & wall hook



SI-16
Telephone shower with LED water temperature and flow rate display with 1.5 mtr flexible tube & hook



CA-16
Telephone shower with 1.5 mtr flexible tube & wall hook

ANGLE VALVES



SI-05
Angle valve



QS-05 A
Angle valve

RATE LIST NETT SUGGESTED MRP LIST

effective from 15th February, 2012

EVANIA

Sr. No.	CAT No.	Description	MRP
01	EA 02	Single lever basin mixer without popup waste system with 450 mm long flexible hose	₹ 18415
02	EA 06	Single lever concealed divertor for bath & shower system with plain spout	₹ 25595
03	EA 19	Single lever basin mixer extended body without popup waste system with 450 mm long flexible hose	₹ 20320
04	EA 26	Single lever concealed basin spout	₹ 27820

SIRIUS

Sr. No.	CAT No.	Description	MRP
01	SI 02	Single lever basin mixer without popup waste system with 450 mm long flexible hose	₹ 11075
02	SI 06	Single lever concealed divertor for bath & shower system with plain spout	₹ 18790
03	SI 09	Single lever wall mixer for bath and shower system without shower	₹ 16515
04	SI 11	Single lever exposed wall mixer 3-in-1 with overhead & telephone shower	₹ 31780
05	SI 19	Single lever basin mixer extended body without popup waste system with 450 mm long flexible hose	₹ 14250
06	SI 26	Single lever concealed basin spout	₹ 13930
07	SI 101	Towel rail	₹ 3320
08	SI 103	Towel ring	₹ 1980
09	SI 104	Soap dish	₹ 2280
10	SI 105	Tumbler holder	₹ 2280
11	SI 106	Robe hook	₹ 1270
12	SI 107	Toilet paper holder	₹ 2890
13	SI 113	Towel Bracket	₹ 8725

CRESSIDA

Sr. No.	CAT No.	Description	MRP
01	CA 02	Single lever basin mixer without popup waste system with 450 mm long flexible hose	₹ 4325
02	CA 06	Single lever concealed divertor for bath & shower system with plain spout	₹ 17145
03	CA 06 W	Concealed divertor for bath and shower system with two way shower & spout	₹ 49695
04	CA 09	Single lever wall mixer with tele shower arrangement	₹ 9580
05	CA 10	Single lever exposed wall mixer for shower system only with overhead & telephone shower	₹ 27985
06	CA 11	Single lever exposed wall mixer 3-in-1 for bath & shower system with overhead & telephone shower	₹ 28785
07	CA 18	Single lever sink mixer	₹ 9270
08	CA 19	Single lever basin mixer extended body without popup waste system with 450 mm long flexible hose	₹ 8210
09	CA 26	Single lever concealed basin spout with single plate	₹ 12255
10	CA 101	Towel rail	₹ 3050
11	CA 103	Towel ring	₹ 2140
12	CA 104	Soap dish	₹ 1190
13	CA 105	Tumbler holder	₹ 1190
14	CA 106	Robe Hook	₹ 835
15	CA 107	Toilet paper holder	₹ 1340
16	CA 113	Towel bracket	₹ 7385

SERENE

Sr. No.	CAT No.	Description	MRP
01	SE 02	Single lever basin mixer without popup waste system with 450 mm long flexible hose	₹ 9525

Sr. No.	CAT No.	Description	MRP
02	SE 06	Single lever concealed divertor for bath & shower system with plain spout	₹ 23080
03	SE 09	Single lever wall mixer for bath & shower system	₹ 17465
04	SE 19	Single lever basin mixer extended body without popup waste system with 450 mm long flexible hose	₹ 15945
05	SE 26	Single lever concealed basin spout with single plate	₹ 20655
06	SE 101	Towel rail	₹ 3350
07	SE 103	Towel holder	₹ 1755
08	SE 104	Soap dish	₹ 1980
09	SE 105	Tumbler holder	₹ 1980
10	SE 106	Robe hook	₹ 815
11	SE 107	Toilet paper holder	₹ 3125
12	SE 113	Towel bracket	₹ 9075

SHOWERS / ANGLE VALVES

Sr. No.	CAT No.	Description	MRP
01	EA 15	Overhead shower with 18" long arm (Oval)	₹ 4045
02	SI 15	Overhead shower with 18" long arm	₹ 3470
03	CA 15 / SE 15	Overhead shower with 18" long arm	₹ 4045
04	EA 16	Telephone shower with 1.5 mtr flexible tube & wall hook	₹ 1285
05	SI 16	Telephone shower with LED water temperature and flow rate display with 1.5 mtr flexible tube & hook	₹ 2890
06	CA 16	Telephone shower with 1.5 mtr flexible tube & wall hook	₹ 2060
07	SI 05	Angle valve	₹ 635
08	QS 05 A	Angle valve	₹ 635

*ESS ESS Bathroom Products Pvt. Ltd. has an ongoing policy of improvement, development and design and thus reserves the right to modify specifications and prices without any prior notice.

BRANCH OFFICES

Ahmedabad: G-11/12, Gokul Complex, Nr. Sankalp Resturant, Opp. Gurukul, Drive in Road, Memnagar, Ahmedabad – 380052, Tel: 079-27463024 , 27461378

Bangalore: Unit 310, 3rd Floor, House of Lords, No. 15 & 16, St. Marks Road, Bangalore - 560001, Tel: 080-22275299 / 22237364, Service Care No.: 080-32023647

Chennai: Sai Karuna Appartments, Flat No.: Ground Floor-B, No. 49 Five Furlong Road, Guindy, Chennai-600032, Tel: 044-42028485 Fax: 044-42028484

Delhi : # 408, 4th Floor , Vishal Tower, District Centre, Janakpuri, Delhi, Tel: 011-25596979

Kolkata : 237, Karnani Mansion, 2nd Floor, 25-A, Park Street, Kolkata – 700016, Tel: 033-30291080 Fax: 033-30291082. Service Care No.: 033-30291081

Mumbai : No. B1/205 Shubham Centre, Chakala, Andheri - East, Mumbai – 400093, Tel: 022 28324629, 28324360, 28324895

Secundrabad: H. No. 3-9-242, First Floor, Near West Marredpally Police Station, West Marredpally, Secunderabad -500026, Tel: 040-66337879

AREA REPRESENTATIVES

Ahmedabad: 9601250785, 9974099626. Aurangabad: 7738154211.

Bangalore: 9845128654, 9448479109, 9916270021. Baroda:9574353054.

Bhatinda:9915014092. Bhuvaneshwar: 9556870181.Chandigarh: 9779164121,

9915014082.Chennai: 9840892004, 9841685593, 9444440098.Cochin:

9845128654. Coimbatore: 9894921212. Dehradun: 9760025880. Goa: 9822582772.

Gurgaon: 9996005701. Hissar: 9996005702. Hyderabad: 9948020222, 9948444211,

9948110111.Indore: 9575515508. Jaipur: 9254000604, 9829010104. Jalandhar:

9915014090, 9915714091. Jammu: 9797654429 Kangra: 9816805725. Kolkata:

9830109334, 9831192980, 9831061127, 9831103636. Kolhapur: 7738154212.

Lucknow: 9335129558, 9936450758. Ludhiana: 9915014081. Mumbai: 7738154208.

New Delhi: 9650775500. Patna: 9097779846. Pune: 7738154210. Ranchi: 9386728970.

Raipur: 9425211653.Siliguri: 9434047074, 9932055560. Srinagar: 9797654429.

Shimla: 9805876409. Surat: 9727748800. Varanasi: 9415593754.

Vishakapatnam: 9948444277

www.essessindia.com